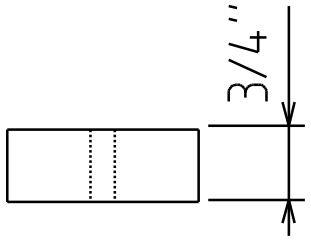
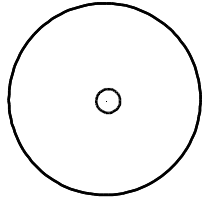
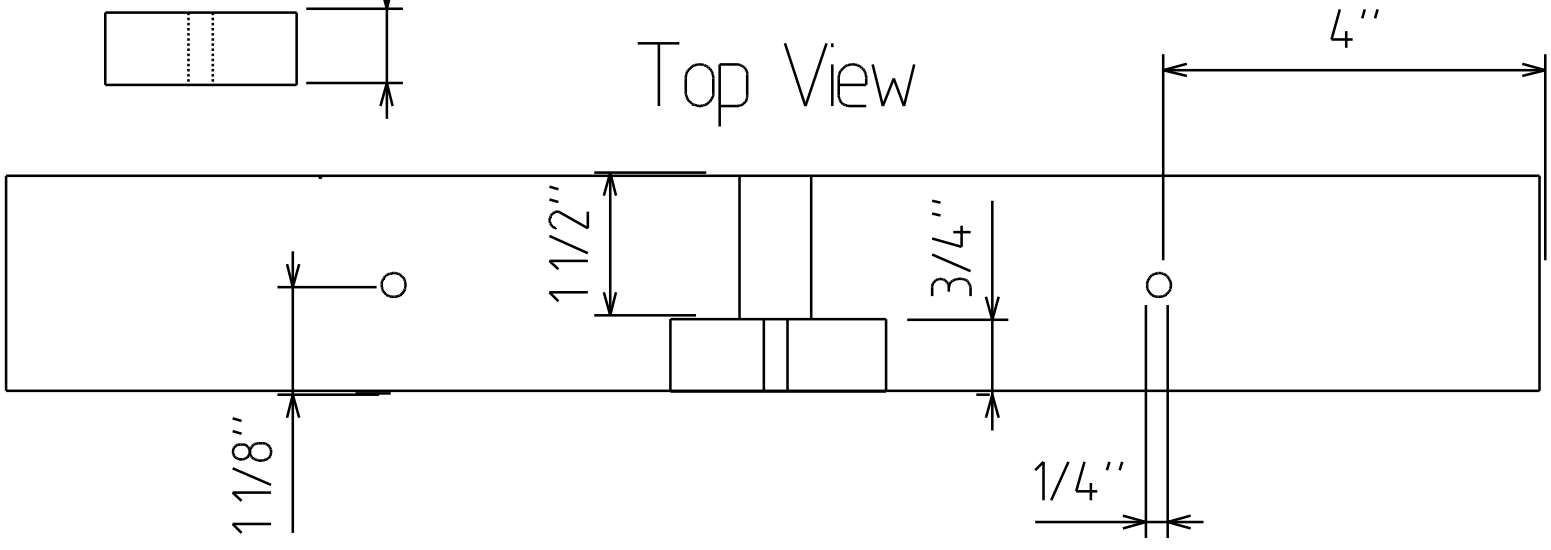


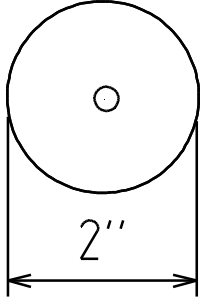
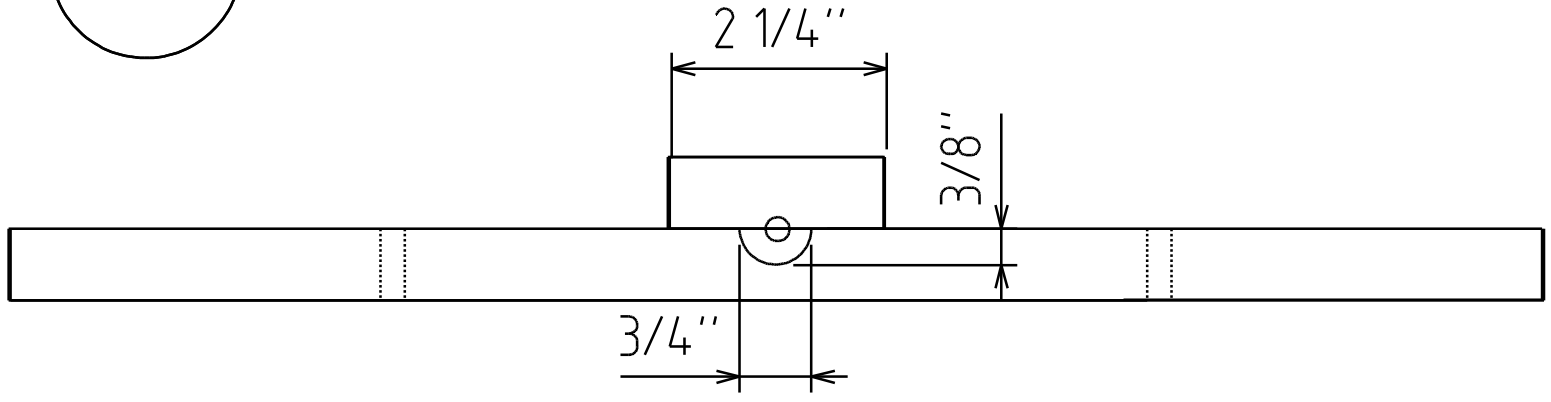
# Plunger Registration Cap w/ 2" Plunger



Top View



Rear View



Front View

